

handrail sizes & part no.

**Select a Size**

1.5" x .375" AHS1500 ( )     6.0" x .375" AHS6000 ( )  
 2.0" x .375" AHS2000 ( )     8.0" x .375" AHS8000 S  
 3.0" x .375" AHS3000 ( )     10.0" x .375" AHS10000 S  
 4.0" x .375" AHS4000 ( )     12.0" x .375" AHS12000 S

**econo-rail**

2.0" x .375" AHT200S (Hollow S/S flat tube - NOT SOLID) supplied with aluminum spacer mounts.

**Select a Finish**

**Brushed Polished\***

Stainless Steel.....(S)   (SP)  
 Bronze (#385 alloy).....(B)   (BP)  
 Yellow Brass (#260 alloy) (YB)   (YBP)  
 Copper .....(C)   (CP)  
\*Additional charges apply.

**Select a Spacer Type**

In Cab Mounting (Removable)     Exterior Cab Mounting

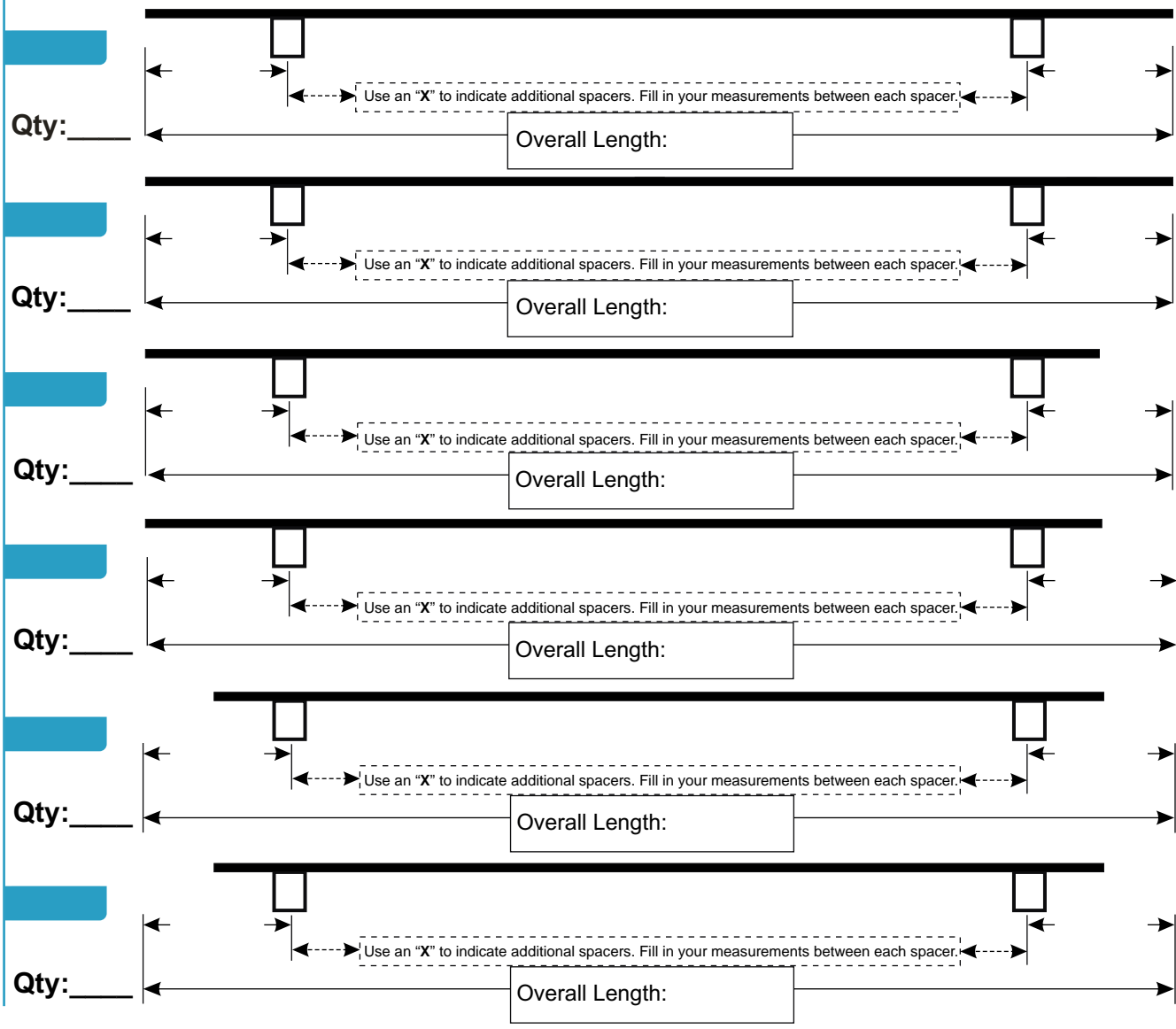
**E-Form Instructions**

To fill out e-form, click and type in highlighted form field areas. Use the Email button to send it. Click ends of rails to change styles. If preferred you can print this form, fill out by hand and fax it to us.

**Options\***

\*Additional charges may be applied with regards to bent ends or specialty spacer designs.

Specialty Spacer Designs  
Please add details and specifications to "notes" located at the bottom of this form to get a quote.



Handrail Worksheet



Save a Tree. Use our E-Forms.

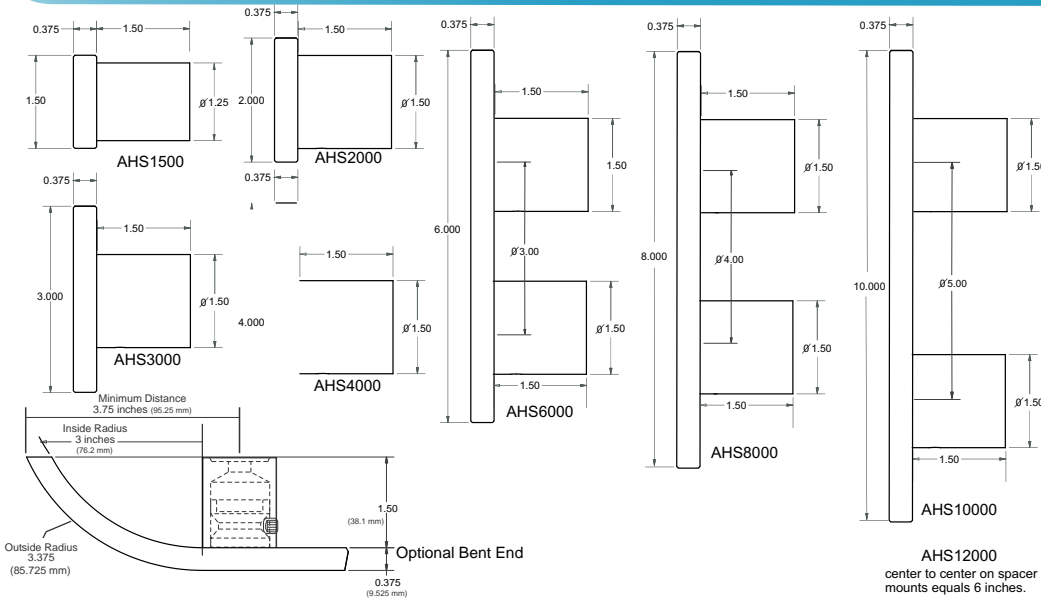
Company: \_\_\_\_\_  
 Job Name: \_\_\_\_\_  
 Order #: \_\_\_\_\_ P.O.#: \_\_\_\_\_  
 Notes: \_\_\_\_\_  
 \_\_\_\_\_  
 Contact Name: \_\_\_\_\_



SHIP TO ADDRESS: \_\_\_\_\_  
 \_\_\_\_\_  
 \_\_\_\_\_  
 \_\_\_\_\_  
 Phone ( ) \_\_\_\_\_ - \_\_\_\_\_  
 Fax ( ) \_\_\_\_\_ - \_\_\_\_\_



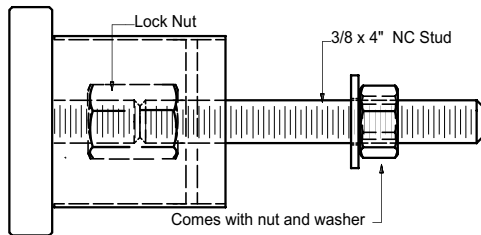
# AHS1500-12000 series solid flat bar engineering data



## Solid Flat Bar (Stainless / Brass / Bronze)

<b>1.5" wide</b> Actual weight = 2.36 lbs / foot (1.07 KG / 30.48cm) Shipping weights = 2.45 lbs / foot (1.11 KG / 30.48cm)
<b>2.0" wide</b> Actual weight = 3.05 lbs / foot (1.38 KG / 30.48cm) Shipping weights = 3.14 lbs / foot (1.42KG / 30.48cm)
<b>3.0" wide</b> Actual weight = 4.33 lbs / foot (1.97 KG / 30.48cm) Shipping weights = 4.42 lbs / foot (2.00KG / 30.48cm)
<b>4.0" wide</b> Actual weight = 5.80 lbs / foot (2.63 KG / 30.48cm) Shipping weights (crate) = 6.89 lbs / foot (3.13 KG / 30.48cm)
<b>6.0" wide</b> Actual weight = 7.98 lbs / foot (3.62 KG / 30.48cm) Shipping weights (crate) = 9.07 lbs / foot (4.12 KG / 30.48cm)
<b>8.0" wide</b> Actual weight = 11.60 lbs / foot (5.26 KG / 30.48cm) Shipping weights (crate) = 13.20 lbs / foot (6.26 KG / 30.48cm)
<b>10.0" wide</b> Actual weight = 14.6 lbs / foot (6.64 KG / 30.48cm) Shipping weights (crate) = 16.80 lbs / foot (7.68 KG / 30.48cm)

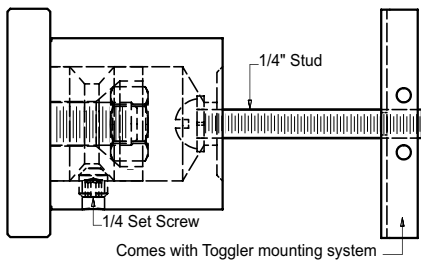
## exterior cab mounting spacer



### PULL-OUT VALUES for 3/8" STUD

Handrail Thread-lock fastener engineered test data  
Pull-out values for removal of threaded fasteners  
from Lustre Products' handrails = 1509 lbs

## in cab (removable) mounting spacer

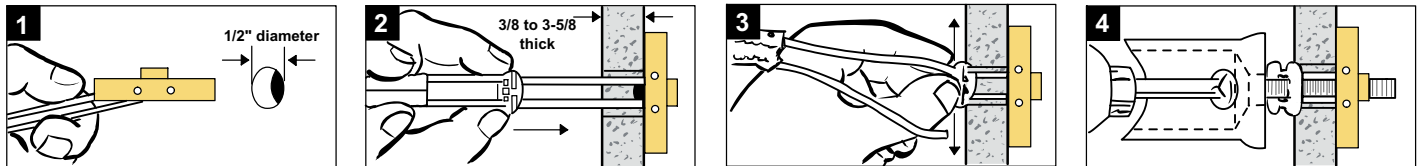


### PULL-OUT VALUES for 1/4"-20 BOLT

265 lbs (120 kg) ultimate tensile load in 1/2" drywall  
306 lbs (162 kg) ultimate tensile load in 5/8" drywall  
925 lbs (420 kg) ultimate tensile load in concrete block  
1,283 lbs (583 kg) ultimate tensile load in steel plate

Tests by independent test laboratory show ultimate load. Industry safety standards recommend 1/4 of the values for actual applications. Age and conditions of substrate will cause load values to vary.

## In Cab Removable Handrail Spacer Installation Instructions



## Care & Maintenance

### Brass, Bronze & Copper Handrails

PLEASE NOTE: These handrails & components are manufactured from solid brass or bronze tubing / round bar / flat bar. During the manufacturing process we have applied a lacquer spray coating to this product. It is intended to prevent initial oxidation of the product finish. Brass or Bronze is a HIGH MAINTENANCE FINISH. This coating is designed to wear off and allows for safe and cost effective removal. The Brass or Bronze finish can then be cleaned and maintained easily. It is NOT a clear coat baked finish which, when chipped, worn, or damaged, will oxidize locally and become permanent with no means of repair, blending or re-finishing.

As the lacquer coating applied to your handrail(s) will wear, please note the following:

1. The original lacquer coating can be removed with standard xylene or lacquer thinner (available at most hardware stores - follow all related safety precautions)
2. Normal maintenance (polishing / buffing / scotchbrite stain finishing) procedures for Brass or Bronze will result in maintaining the #4 (brushed) or #8 (polished) finish.
3. You may prefer, at this time, to continue a program of hand maintenance to control oxidation as well as normal wear and tear
4. If re-coating of the handrail is preferred, standard commercial spray lacquer is recommended as a versatile means of reducing the effects of oxidation.

As these handrails are a high contact / high abuse item within elevator cabs, they are warranted against defects in workmanship. The finish is not warranted as it is assumed that with Brass or Bronze, there will be a program of maintenance in place to control the effects of oxidation, including all aspects of normal use and abuse.

The workmanship and quality of these products is a reflection of our dedication to you.... our customer.