

Solid Flat Bar

Handrail Sizes & Part no.

- ___ .375" x 1.5" AHCS1500-()
- ___ .375" x 2.0" AHCS2000-()
- ___ .375" x 3.0" AHCS3000-()
- ___ .375" x 4.0" AHCS4000-()
- ___ .375" x 6.0" AHCS6000-()

Round Rail

Handrail Diameter & Part no.

- ___ 1.5" Diameter AHCR1500-()
- ___ 2" Diameter AHCR2000-()
- ___ 3" Diameter AHCR3000(S)

Round Flat

Finish

Indicate Preference
Brushed Polished*

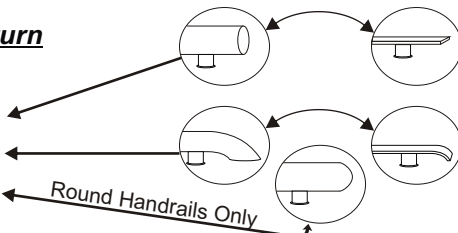
- ___ Stainless Steel.....(S) (SP)
 - ___ Bronze (#385 alloy).....(B) (BP)
 - ___ Yellow Brass (#260 alloy)...(YB) (YBP)
- Additional charges apply *

Handrail Worksheet

Please Photocopy and Fill in Specifications

Sidewall Return

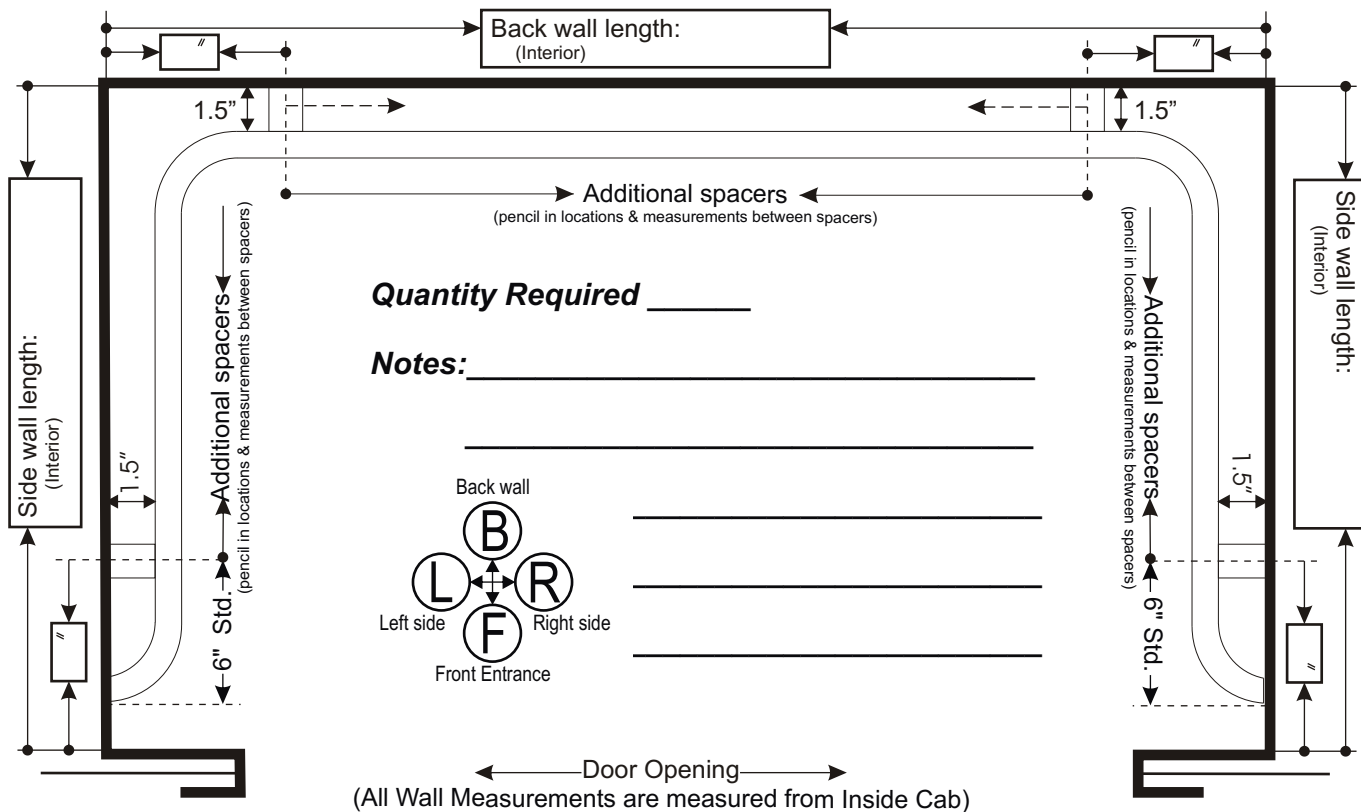
- L** **R**
-Straight.....
-Bent.....
-Bullet.....



Handrail Spacer Type

- ___ Exterior Cab Mounting Spacer
- ___ In Cab (Removable) Mounting Spacer

CAUTION - Accurate & Proper measurements are YOUR Responsibility - TAKE CARE



Company: _____

Job Name: _____

Order #: _____ P.O.#: _____

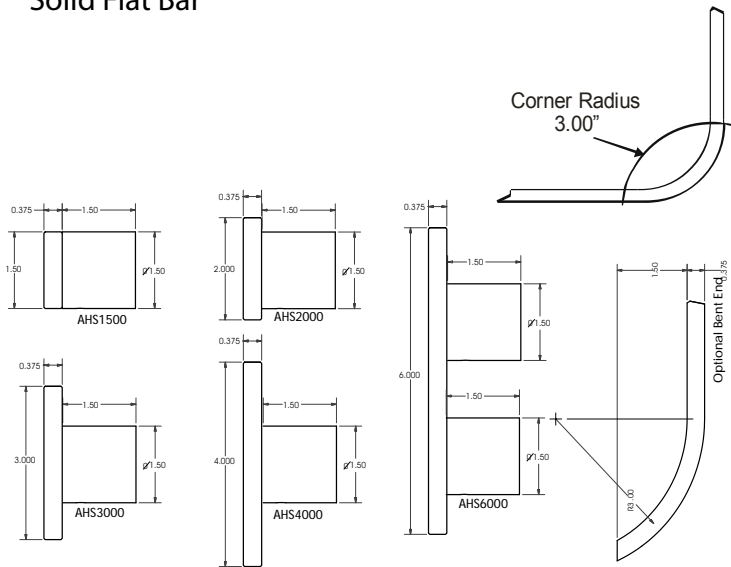
Notes: _____

SHIP TO ADDRESS: _____

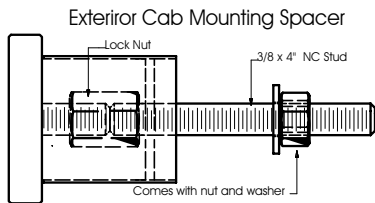
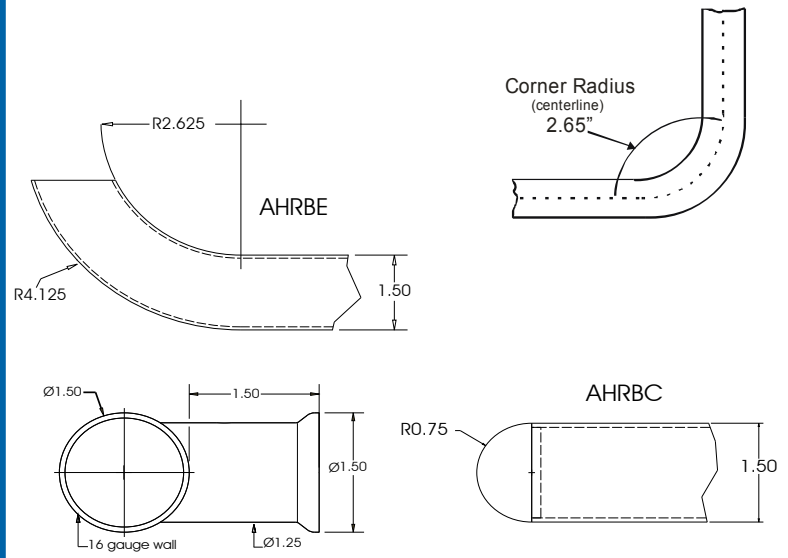
Contact Name: _____ Phone # (____) _____ - _____ Fax # (____) _____ - _____

AHCS series Solid Flat Bar / AHCR series Round Continuous Rail Engineering Data

Solid Flat Bar

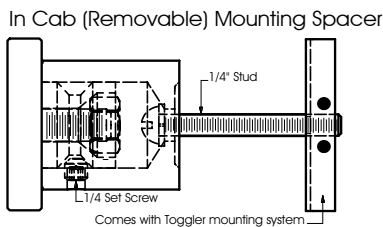
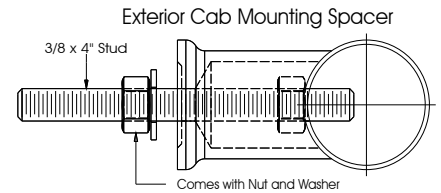


Round Rail



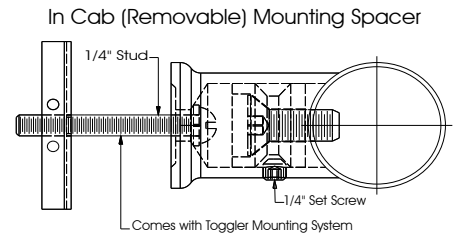
PULL-OUT VALUES for 3/8" STUD

Handrail Thread-lock fastener engineered test data
Pull-out values for removal of threaded fasteners
from Lustre Products' handrails = 1509 lbs



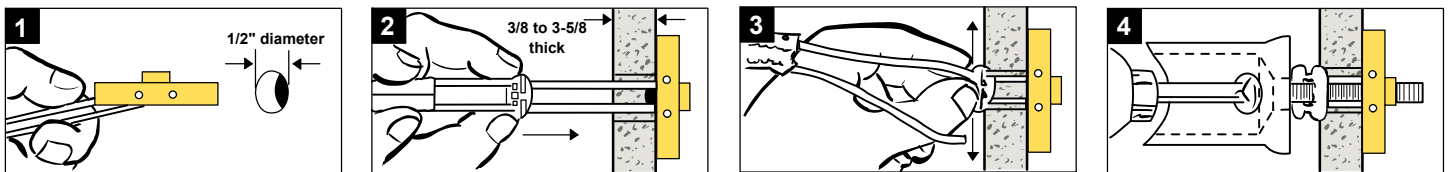
PULL-OUT VALUES for 1/4"-20 BOLT

265 lbs (120 kg) ultimate tensile load in 1/2" drywall
306 lbs (162 kg) ultimate tensile load in 5/8" drywall
925 lbs (420 kg) ultimate tensile load in concrete block
1,283 lbs (583 kg) ultimate tensile load in steel plate



Tests by independent test laboratory show ultimate load. Industry safety standards recommend 1/4 of the values for actual applications. Age and conditions of substrate will cause load values to vary.

REMOVABLE HANDRAIL SPACER INSTALLATION INSTRUCTIONS



SHIPPING = All Continuous rails are crossbraced and packaged for commercial transport.